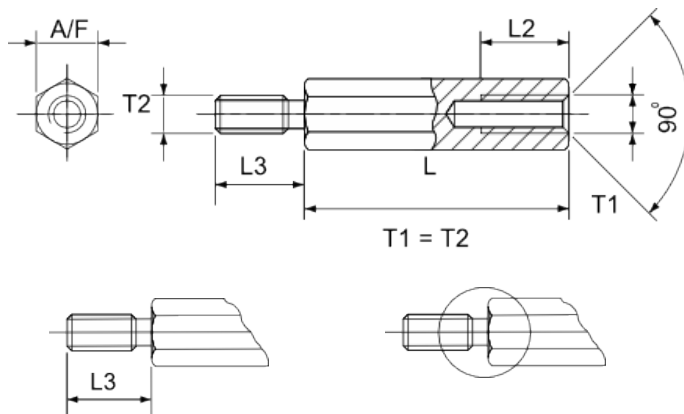


## • Hexagonal Spacers Threaded Stud / Tapped Hole - Aluminium



For Custom Stud Lengths  
See ' How to Order '

Undercut - See Note 1

Tapped Depths to Din 76-B Customer Depths to Order					
L	L2 M3	L2 M4	L2 M5	L2 M6	L2 M8
5	2.5				
8	5	5			
10	6	6	6	5	
12	7	8	8	7	
15	7	9	10	10	10
18	7	9	10	12	12
20+	7	9	10	12	14

ALUMINIUM • ALUMINIUM • ALUMINIUM • ALUMINIUM • ALUMINIUM • ALUMINIUM • ALUMINIUM • ALUMINIUM				
Material: Aluminium AlCuBiPb 3.1655				RoHS Compliant
Thread	A/f	L3	Series Code	Available Standard Lengths L ± 0.1 - Any custom length to order
M2.5	5	6	II-AL-255060	05 08 10 12 15 18 20 25 30 35 40 45 50 55 60
M3	5.5	6	II-AL-305560	05 08 10 12 15 18 20 25 30 35 40 45 50 55 60
M3	6.0	6	IA-AA-306060	05 08 10 12 15 18 20 25 30 35 40 45 50 55 60 65 70
M4	7.0	8	IA-AA-407080	05 08 10 12 15 18 20 25 30 35 40 45 50 55 60 65 70 75 80 85 90 95 100
M5	8.0	8	IA-AA-508080	10 12 15 18 20 25 30 35 40 45 50 55 60 65 70 75 80 85 90 95 100
M6	10.0	10	IA-AA-601010	10 12 15 18 20 25 30 35 40 45 50 55 60 65 70 75 80 85 90 95 100
M8	13.0	14	IA-AA-801314	15 20 25 30 35 40 45 50 55 60 65 70 75 80 85 90 95 100

### How to order:-

Select the required Series Code & add required standard or custom body length suffix.  
i.e IA-AA-306060-20 = body length 'L' of 20mm

For custom stud length 'L3' amend code to required custom length.  
i.e IA-AA-306012-20 = stud length 12mm, body length 20mm

### Note 1.

Standard production is with a cut-back which enables flush fitting into a thread with no lead-in.  
Non cut-back available.

