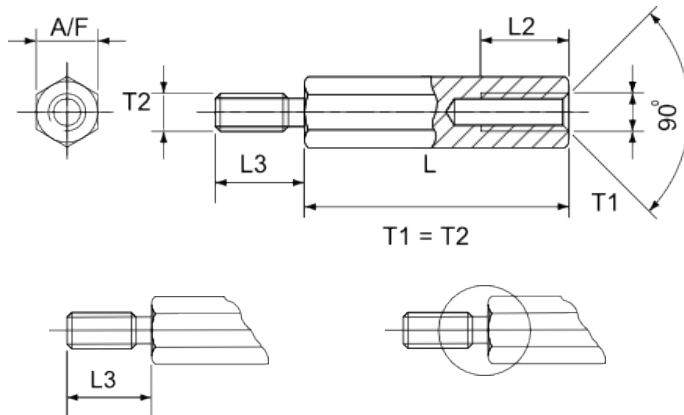


• Hexagonal Spacers Threaded Stud / Tapped Hole - Stainless Steel



For Custom Stud Lengths
See ' How to Order '

Undercut - See Note 1

Tapped Depths to Din 76-B Custom Depths To Order					
L	L2 M3	L2 M4	L2 M5	L2 M6	L2 M8
5	2.5				
8	5	5			
10	6	6	6	5	
12	7	8	8	7	
15	7	9	10	10	10
18	7	9	10	12	12
20+	7	9	10	12	14

STAINLESS STEEL • STAINLESS STEEL • STAINLESS STEEL • STAINLESS STEEL • STAINLESS STEEL				
Material: Stainless Steel X8CrNiS18-9 1.4305 A1 / 303				RoHS Compliant
Thread	A/f	L3	Series Code	Available Standard Lengths L ± 0.1 - Any custom length to order
M3	5.5	6	IA-VA-305560	05 07 08 09 10 12 15 17 18 19 20 25 30 35 40 45 50 55 60 65 70
M4	7.0	8	IA-VA-407080	05 08 10 12 15 18 20 25 30 35 40 45 50 55 60 65 70 75 80 85 90 95 100
M5	8.0	8	IA-VA-508080	10 12 15 18 20 25 30 35 40 45 50 55 60 65 70 75 80 85 90 95 100
M6	10.0	10	IA-VA-601010	10 12 15 18 20 25 30 35 40 45 50 55 60 65 70 75 80 85 90 95 100
M8	13.0	14	IA-VA-801314	15 20 25 30 35 40 45 50 55 60 65 70 75 80 85 90 95 100

How to order:-

Select the required Series Code & add required standard or custom body length suffix.
i.e IA-VA-305560-20 = body length 'L' of 20mm

For custom stud length 'L3' amend code to required custom length.
i.e. IA-VA-305512-20 = stud length 12mm, body length 20mm

Note 1.

Standard production is with a cut-back which enables flush fitting into a thread with no lead-in.
Non cut-back available.

