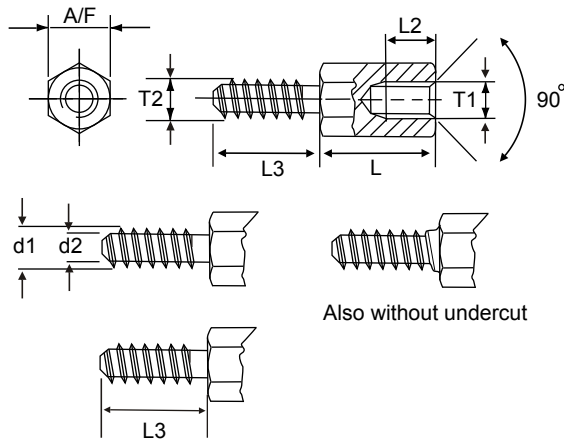


• Hexagonal Spacers with Self-Tapping Stud - Brass & Steel



For custom Stud Lengths
- see 'How to Order'.

Also without undercut

Thread Size	External Thread T2		Internal Thread T1	
	d1	d2	L	L2
ST2.2	2.1	1.6	8	5
ST2.9	2.8	2.1	10	6
ST3.3	3.2	2.3	12	7
ST3.5	3.4	2.6	15	10
ST4.2	4.1	3.0	20	10
ST4.8	4.7	3.5		
ST6.3	6.1	4.8		

BRASS • BRASS • BRASS • BRASS • BRASS • BRASS • BRASS • BRASS • BRASS • BRASS • BRASS • BRASS • BRASS					
Material: Brass CuZn39Pb to Din 17660 Plating: Nickel G3E to Din 267 RoHS Compliant					
Internal Thread T1	A/f	L3	Self-Tapping Thread T2	Series Code	Available Standard Lengths L ± 0.1 - Any custom length to order
M2.5	5.0	5.0	ST2.2	IAK-MS-255022	08 10 12 15 20
M3	5.5	6.0	ST2.9	IAK-MS-305529	08 10 12 15 20
M3	5.5	6.0	ST3.3	IAK-MS-305533	08 10 12 15 20
M3	6.0	7.0	ST3.5	IAK-MS-306035	08 10 12 15 20
M4	7.0	8.0	ST4.2	IAK-MS-407042	08 10 12 15 20
M5	8.0	8.0	ST4.8	IAK-MS-508048	08 10 12 15 20
M6	10.0	10.0	ST6.3	IAK-MS-601063	10 12 15 20
• STEEL • STEEL • STEEL • STEEL • STEEL • STEEL • STEEL • STEEL • STEEL • STEEL • STEEL • STEEL • STEEL					
Material: Steel SMnPb30 to Din 176 V1.0718 Plating: Zinc (A3F) to Din 267 RoHS Compliant					
Internal Thread T1	A/f	L3	Self-Tapping Thread T2	Series Code	Available Standard Lengths L ± 0.1 - Any custom length to order
M2.5	5.0	5.0	ST2.2	IAK-ST-255022	08 10 12 15 20
M3	5.5	6.0	ST2.9	IAK-ST-305529	08 10 12 15 20
M3	5.5	6.0	ST3.3	IAK-ST-305533	08 10 12 15 20
M3	6.0	7.0	ST3.5	IAK-ST-306035	08 10 12 15 20
M4	7.0	8.0	ST4.2	IAK-ST-407042	08 10 12 15 20
M5	8.0	8.0	ST4.8	IAK-ST-508048	08 10 12 15 20
M6	10.0	10.0	ST6.3	IAK-ST-601063	10 12 15 20

How to order:-

Select the required Series Code & add required standard or custom body length suffix.
i.e. IAK-ST-305529-20 = body length 'L' of 20mm

For custom stud length 'L3' amend code to required custom length.
i.e. IAK-ST-305529-20/S12 = stud length 12mm, body length 20mm

